

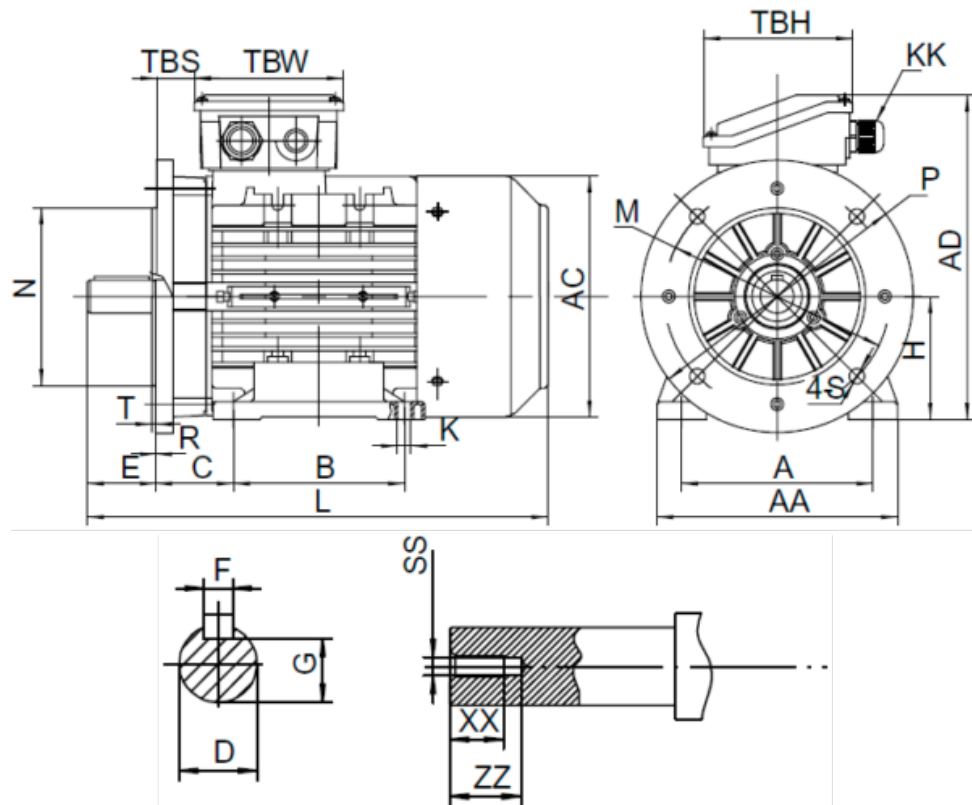
# Data Sheet



Article number: 25180150022740

Description: Kleedrive T3A 160M2-2 15.0kw 2800 rpm UL/CSA  
3x400/690V 50 HZ IP55 B35 Eff=91,9%

## Measures



A = 254	F = 12	TBW = 148
AA = 314	G = 37	XX = 36
AC = Ø314	H = 160	ZZ = 45
AD = 391	HD = 231	
B = 210	L = 616	
C = 108	SS = M16	
D = Ø42	TBH = 148	
E = 110	TBS = 64	